



## ◆ RS485 Surge Protector

### ➤ Features

- Three stages of protection on every data line
- Protected signal ground connection
- Easy to install, plug-and-play
- 4500V surge protection



### ➤ Introduction

IEC61000-4-5 and ITU-TK20&K21 are the recognized standards for top quality surge protectors, MW30-L have high respond speed, low output rudimental voltage, ascendance transfer performance. All have #10 ground screws which must be connected to a solid ground.

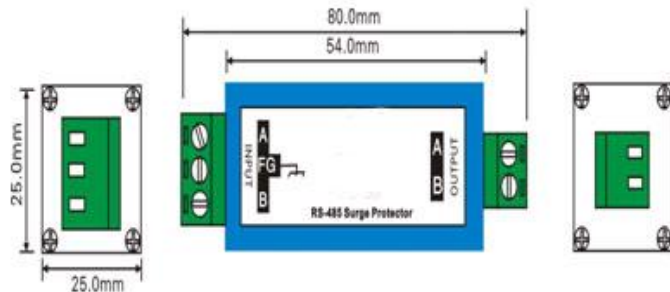
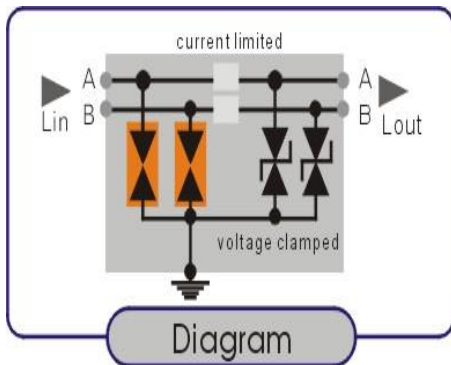
### ➤ Specification

#### Technology

Standard	Accord EIA RS-485 standard
RS485 signal	IEC6100-4-5 and ITU-TK20&21
Working voltage	0-5V
Limit voltage	<15V
Apply Band rate	1Mbps
Isolate signal	TXD, RXD, GND
Connector	Standard industrial terminal block
Insert consumption	<0.5dB
Delay time	<1ns
Environment	
Working temperature	-20 to 60
Storage temperature	-25 to 85
Humidity	Relative humidity 5% to 95%
Power	
Input powered	No power supply needed
Consumption	No consumption
Dimension	
L×W×H	80mm×25mm×22mm
Shell	Alnico
Color	Blue
Weight	10g
Warranty	5 years
Approvals	FCC,CE, RoHS approvals

## ➤ Dimension

MW30-L is designed by the theory of current limited and voltage clamped, discharged to ground. When the data line exist surge, the MW30-L is induced and worked ,the lightning energy is discharged to ground, and the high surge voltage is clamped to low level, so our devices is protected.



## ➤ Packing List

- RS485 Surge Protector MW30-L×1
- User manual ×1