

VGA To Fiber Converters with 1 audio+1 RS232, 3G, Uncompressed

➤ Features

- Transmits VGA video signals up to 10km over one fiber optic cable
- Support video resolution up to 1920*1080P@60Hz
- Support external stereo audio unidirectional transmission
- Support transmitter one channel signal output
- Support RS232 signal unidirectional transmission, baud rate self-adaptive
- High compatibility, can auto-match source and display device
- Built-in automatic adjustment system, make the image smooth, clear and stable
- Built-in ESD protection system
- Simple to install, plug and play



➤ Introduction

The VGA0111-3G Fiber optic extender provides extension of VGA signals long distances over one fiber optic cable, it supports high resolution up to 1080P, transmitter local output, RS232 signal and external audio transmission function. The extender can use for a wide range of applications requiring long distance transmission of high resolution with high quality by its good stability and powerful security.

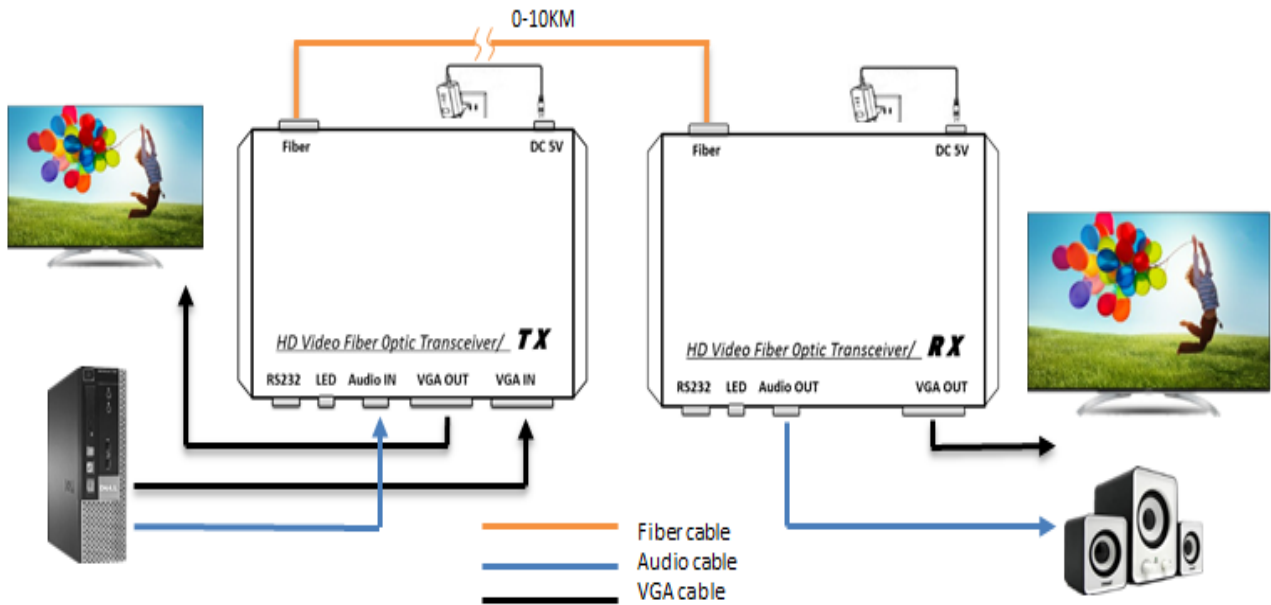
➤ Application

- HD monitor transmission and power supply
- Security protection system, TV medical treatment
- Network telephone transmission, Intelligent house and home system
- Intelligent transportation supervisory system (ITS)
- High-speed Way supervisory/Tele-Communication System
- Long-distance Multi-media Schooling, Campus monitoring
- Long-distance broadcast television transmission system
- High-building Security Protection, Military Tele-Com project
- Smart City

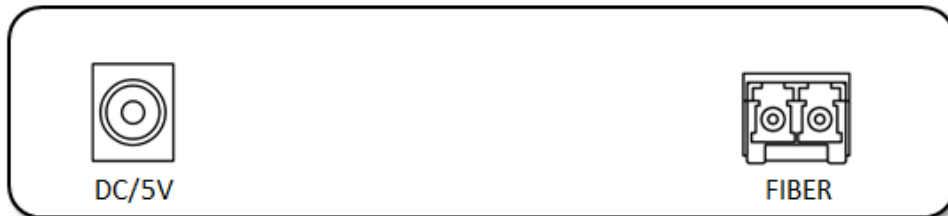
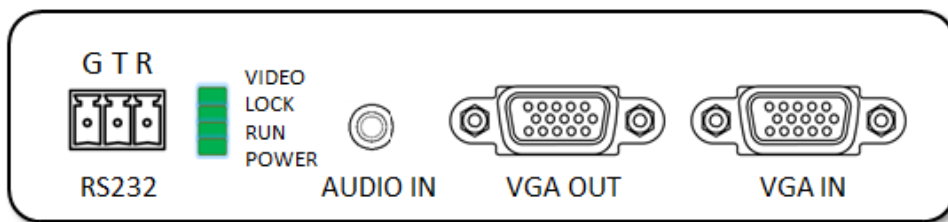
➤ Specification

Video	
Standards	VGA
Maximum pixel clock	380MHz
Resolution range	1920*1200@60Hz 1920*1080@60Hz
	1600*1200@60Hz 1680*1050@60Hz
	1280x1024@60Hz / 1280x1024@75Hz
	1280x800@60Hz / 1280x768@60Hz
	1280x720@60Hz /
	1024x768@60Hz / 1024x768@75Hz
	800x600@60Hz / 800x600@75Hz
Impedance	75Ω
Audio	
Interface	3.5mm earphone seat
Format	44.1K,48K,96K,176K,192K
Signal type	Stereo
RS232	
Interface	Industrial terminal
Signal direction	Unidirectional
Baud rate	Self-adaptive, Max:115200bps
Data bits	8
Optical fiber	
Interface	LC connector
Fiber type	Single-mode, single fiber
Wavelength	Single-mode 1310nm
Interface bandwidth	3Gbps
Transmission distance	10Km
Other	
Power supply	DC12V
Power dissipation	MAX 6W
Temperature	Operating: -5°C ~ +70°C
Humidity	Operating: 5% ~ 90%
Dimension	155*115*30mm
The warranty	1 year free warranty

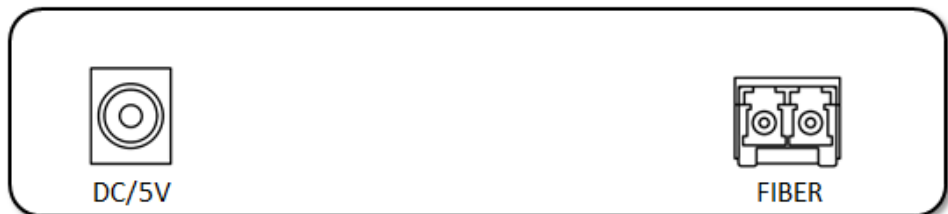
➤ Connection



➤ Panel



Transmitter



Receiver

➤ Ordering Information

Model NO.	Description
VGA0111-3G	VGA To Fiber Converters with 1 audio+1 RS232, 3G,Uncompressed
VGA0111-3G-MK	VGA To Fiber Converters with keyboard and mouse+ 1 audio+1 RS232, 3G

➤ Packing List

- VGA optical fiber transmitter *1
- VGA optical fiber receiver * 1
- Fiber optic module * 2
- Power adapter * 2
- User manual * 1